




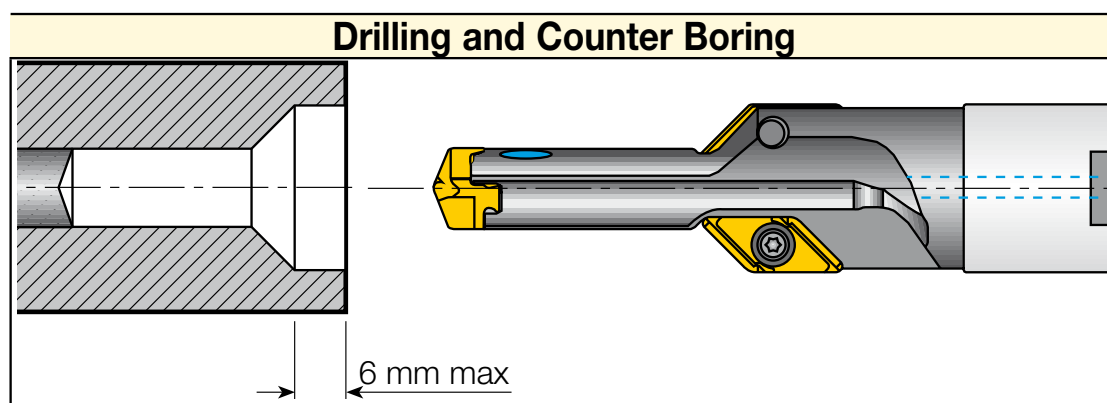
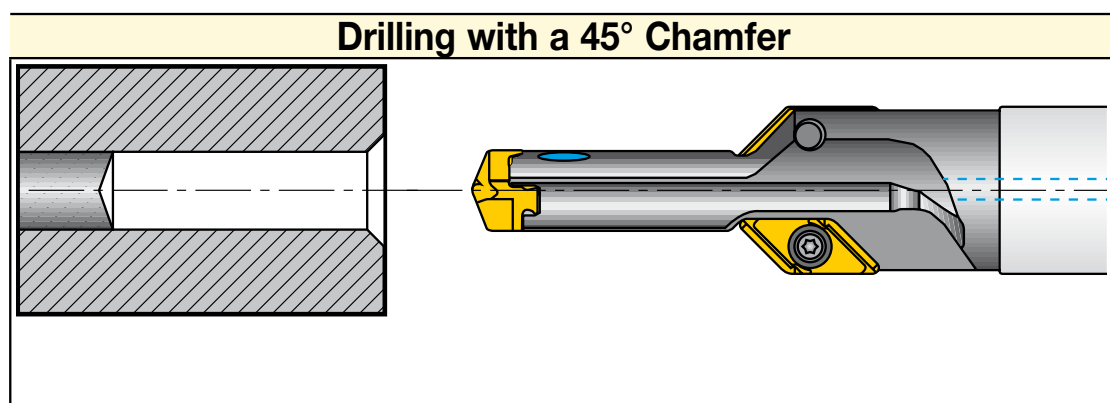
Spare Parts

Designation			
DCT 068-021-14B-M8	SR 34-508 M2.2X0.45	T-7/51	K DCM- 8
DCT 085-026-14B-M10	SR 34-508 M2.2X0.45	T-7/51	K DCM- 8
DCT 102-030-14B-M12	SR 34-508 M2.2X0.45	T-7/51	K DCM-10
DCT 120-035-16B-M14	SR 34-508 M2.2X0.45	T-7/51	K DCM-12
DCT 140-039-18B-M16	SR 34-508 M2.2X0.45	T-7/51	K DCM-14
DCT 175-042-20B-M20	SR 34-508 M2.2X0.45	T-7/51	K DCM-17
DCT 210-048-25B-M24	SR 34-508 M2.2X0.45	T-7/51	K DCM-21

Pre-Thread DCT Drills

There are Two Main Applications for Pre-Thread Hole Drilling:

Drilling pre-thread **blind** and **through holes**:



Pre-Thread DCT Metric Threads Recommended Diameters

Drill Designation	Dia. Range	M Thread	Head Dia.	MF Head	Head Dia.	TR Thread	Head Dia.	M Helicoil Thread	Head Dia.
DCT 068-021-14B-M8	6.80-7.49	M8	6.8	MF8X0.75 MF8X1	7.20 7.00	TR10X3	7.49		
DCT 085-026-14B-M10	8.30-8.99	M10	8.5	MF10X1 MF10X1.25	8.99 8.80	TR10X1.5	8.60	M8	8.40
DCT 102-030-14B-M12	10.0-10.99	M12	10.2	MF11X1 MF12X1 MF12X1.25 MF12X1.5	10.00 10.99 10.80 10.50	TR12X2 TR14X4	10.20 10.50	M10	10.50
DCT 120-035-16B-M14	12.0-12.99	M14	12.0	MF13X1 MF14X1 MF14X1.25 MF14X1.5	12.00 12.99 12.80 12.50	TR14X2 TR16X4	12.20 12.30	M12	12.50
DCT 140-039-18B-M16	14.0-14.99	M16	14.0	MF14X1 MF16X1 MF16X1.5	14.00 14.99 14.50	TR18X4	14.30	M14	14.99
DCT 175-042-20B-M20	17.3-17.99	M20	17.5	MF20X2	17.99	TR22X5	17.30		
DCT 210-048-25B-M24	21.0-21.99	M24	21.0	MF22X1	21.00				

Inch Threads

Drill Designation	Dia. Range	UNF Thread	Head Dia.	UNC Thread	Head Dia.	UNC Helicoil Thread	Head Dia.	BSW Thread	Head Dia.	BSF Thread	Head Dia.
DCT 085-026-14B-M10	8.30-8.99	UNF3/8-24	8.5			UNC5/16-18	8.4				
DCT 102-030-14B-M12	10.0-10.99			UNC1/2-13	10.8			BSW1/2-12	10.5	BSF1/2-16	10.99
DCT 120-035-16B-M14	12.0-12.99			UNC9/16-12	12.3					BSF9/16-16	12.50
DCT 140-039-18B-M16	14.0-14.99	UNF5/8-18	14.5								
DCT 175-042-20B-M20	17.3-17.99	UNF3/4-16	17.5								

Inch Threads

Drill Designation	Dia. Range	NPT Thread	Head Dia.	BSF Thread	Head Dia.	BSP Thread	Head Dia.	UNEF Thread	Head Dia.	UNJF Helicoil Thread	Head Dia.
DCT 085-026-14B-M10	8.30-8.99	NPT1/8-27	8.5			G1/8-28	8.8	UNEF3/8-32	8.7	UNJF3/8-24	8.6
DCT 102-030-14B-M12	10.0-10.99			BSF1/2-16	10.99						
DCT 120-035-16B-M14	12.0-12.99			BSF9/16-16	12.50						
DCT 140-039-18B-M16	14.0-14.99	NPT3/8-18	14.5					UNEF5/8-24	14.8	UNJF5/8-18	14.5
DCT 175-042-20B-M20	17.3-17.99	NPT1/2-14	17.5					UNEF3/4-20	17.8		